



# XP PIPE CLAMSHELL FITTINGS

There are both swivel and non-swivel fittings. The swivel fitting action allows for easy installation in tight containment spaces. Non-swivel fittings provide the same environmental security as the swivel versions at an economical price.

## HIGHLIGHTS

- Solid brass or stainless steel construction.
- E-coated clamps provide durability and corrosion resistance from gas/alcohol blends (including E85), diesel and Biodiesel.
- Integrated double O-ring design for leak-tight seal.
- NPT threads are compatible with locally available standard termination fittings.
- 100 psi rated working pressure.
- Stainless steel fittings are biofuel approved (E85, DEF, and Biodiesel).

## ORDERING INFORMATION

### Swivel Fitting

Model	Description
MS-XP-150-150	Brass XP pipe clamshell swivel fitting, installs on the end of 1½" single/secondary contained XP pipe with 1½" NPT
MS-XP-175-200	Brass XP pipe clamshell swivel fitting, installs on the end of 1¾" single/secondary contained XP pipe with 2" NPT
MS-XP-200-200	Brass XP pipe clamshell swivel fitting, installs on the end of 2" single/secondary contained XP pipe with 2" NPT
MS-XP-150-150SS	Stainless steel XP pipe clamshell swivel fitting, installs on the end of 1½" single/secondary contained XP pipe with 1½" NPT
MS-XP-175-200SS	Stainless steel XP pipe clamshell swivel fitting, installs on the end of 1¾" single/secondary contained XP pipe with 2" NPT
MS-XP-200-200SS	Stainless steel XP pipe clamshell swivel fitting, installs on the end of 2" single/secondary contained XP pipe with 2" NPT

### Non-Swivel Fitting

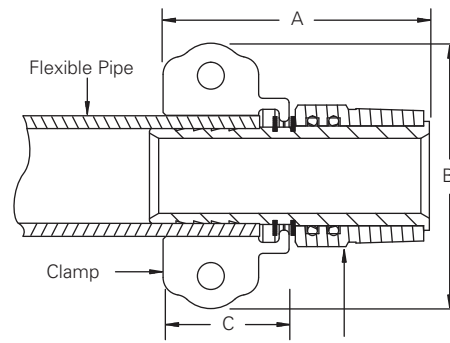
Model	Description
MN-XP-100-100	Brass XP pipe clamshell non-swivel fitting, installs on 1" single/secondary contained XP pipe with 1" NPT
MN-XP-100-100SS	Stainless steel XP pipe clamshell swivel fitting, installs on 1" single/secondary contained XP pipe with 1" NPT

## SPECIFICATIONS

### Approvals

- cULus listed.

### Dimensions



Model	A	B	C
MS-XP-150-150	4.00"	4.00"	1.75"
MS-XP-175-200	4.00"	4.00"	1.75"
MS-XP-200-200	4.50"	4.75"	2.25"

Model	A	B	C
MN-XP-100-100	3.00"	3.00"	1.50"